



10 APR. 2023

MARK	DESCRIPTION	PROFILE	MATERIAL	LENGTH	WEIGHT (kg)	QTY	TOTAL WT.
1	Post	HSS 57.15X57.15X2.5	6061 - T6	1076.2	2.05	2	4.10
2	Top rail	-	6061 - T6	1880	1.92	1	1.92
3	Bottom rail	-	6061 - T6	1880	0.85	1	0.85
4	Picket	38.1X15.8	6061 - T6	922	1.5	13	19.50
5	Mounting plate	PL 9.5 x 114.3	6061 - T6	127	0.37	2	0.74
6	Stiffener plate	PL 6.35 x 63.5	6061 - T6	76	0.10	2	0.20
7	Support leg	PL 3	6061 - T6	25.4	0.04	1	0.04
8	Post cap	-	6063 - T5	-	0.04	2	0.08
							27.45



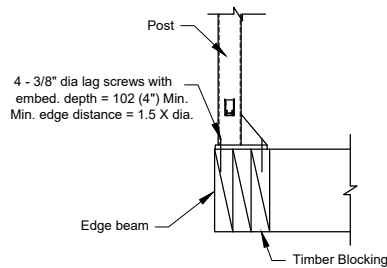
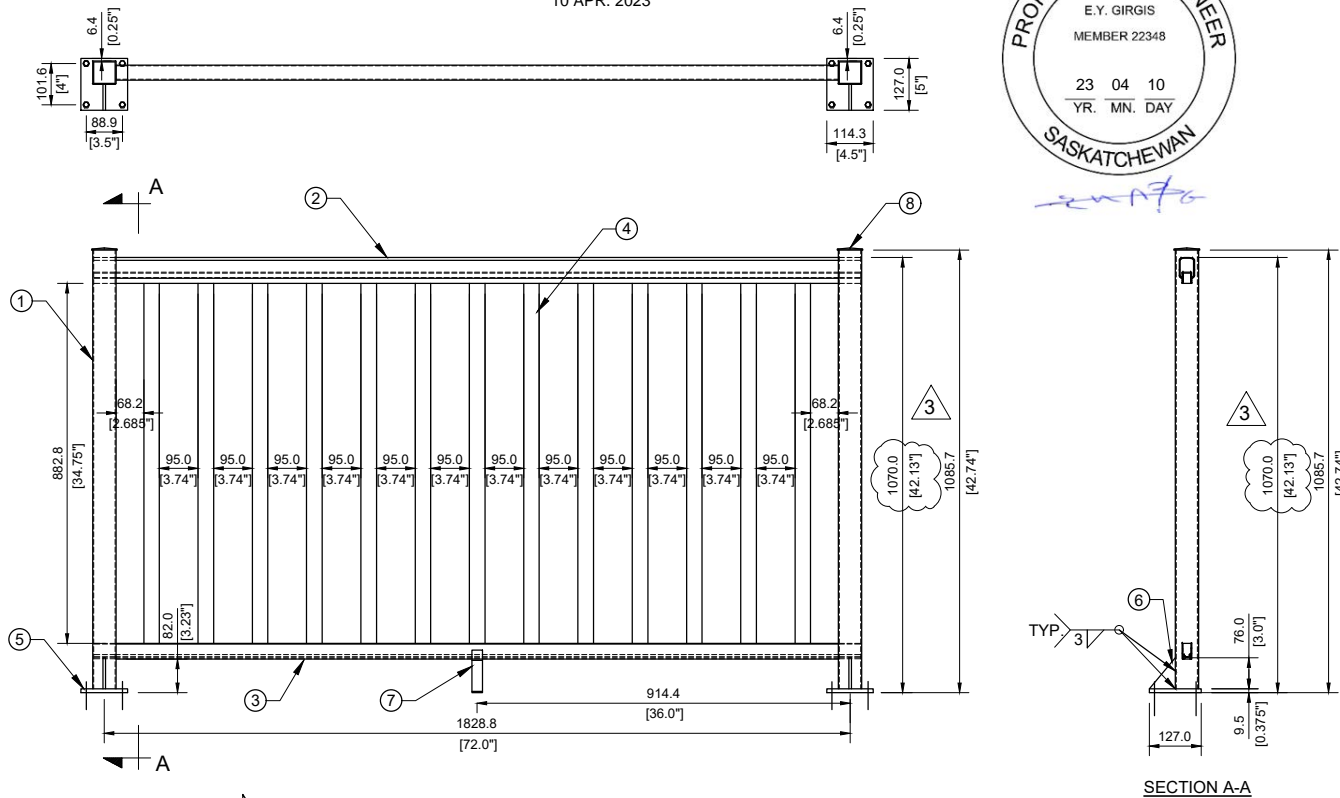
E.Y. GIRGIS
MEMBER 22348
23 04 10
YR. MN. DAY
SASKATCHEWAN



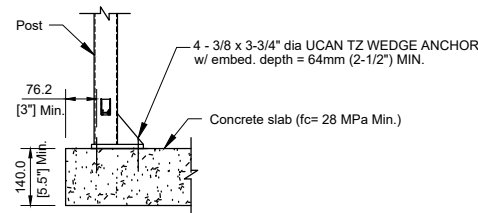
10 APR. 2023



10 APR. 2023



TYPICAL TOP MOUNTED DETAIL ON TIMBER FLOOR



TYPICAL TOP MOUNTED DETAIL ON CONCRETE FLOOR

No.	DATE	REVISIONS	DRAWN	CHECK
3	10 APR. 2023	REVISED AS CLOUDED	EY	EG
2	21 JAN. 2020	ADDING EDGE DISTANCE NOTE	EY	EG
1	29 JUL. 2019	STIFFENERS ARE REVISED	EY	EG
0	20 OCT. 2018	ISSUED FOR FABRICATION	EG	EG

Drawing prepared by:



554 Silverado., SW, Calgary, AB
Phone: (403) 617-4801
ehab.girgis@gplusengineering.com
www.gplusengineering.com

Client :

Home-Rail Ltd.

Drawing Title :

**1-1/2" PICKET RAIL - 42" HIGH
TOP MOUNTED**

Scale :	NTS	Drawing No.	H3-1	REV.	3
Project No. :	1813				