

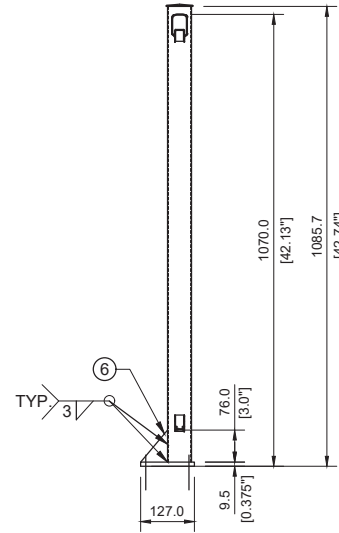
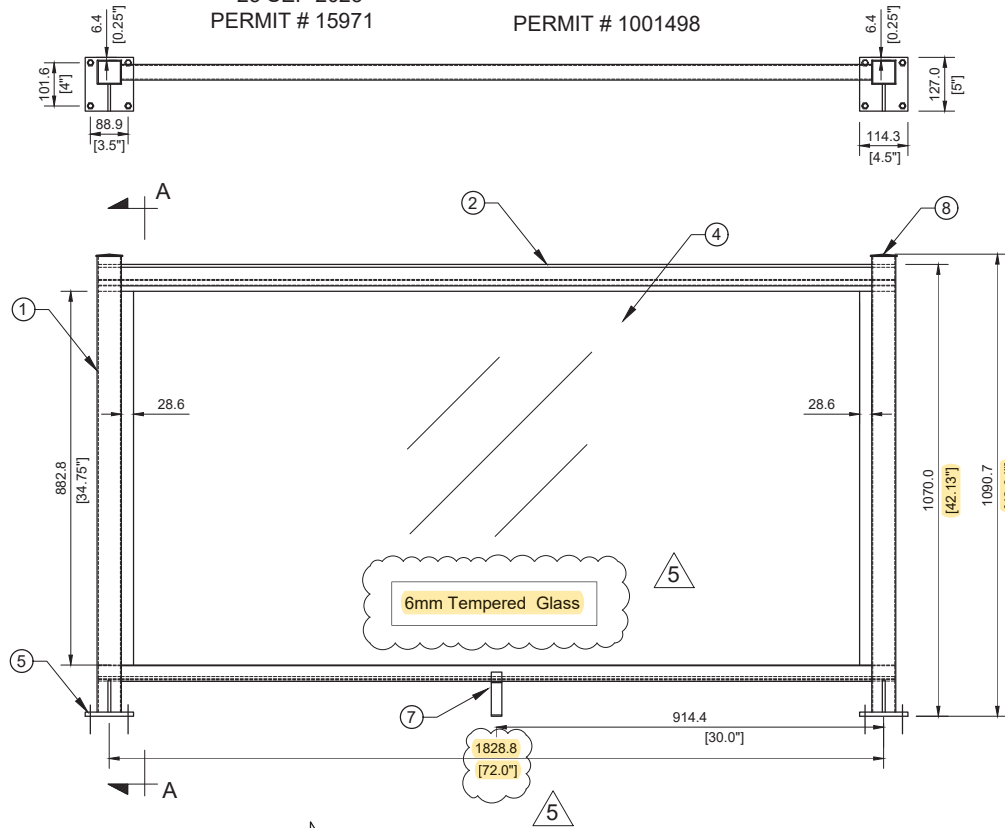


25 SEP 2023  
PERMIT # 15971

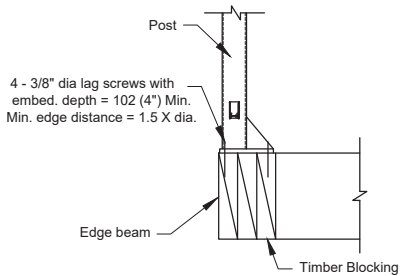


25 SEP 2023  
PERMIT # 1001498

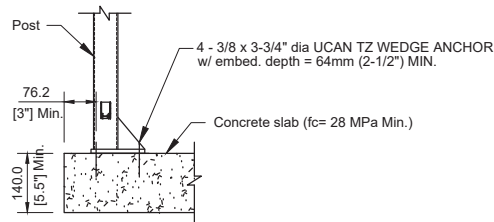
MARK	DESCRIPTION	PROFILE	MATERIAL	LENGTH	WEIGHT (kg)	QTY	TOTAL WT.
1	Post	HSS 57.15X57.15X2.5	6061 - T6	1076.2	2.05	2	4.10
2	Top rail	-	6061 - T6	1880	1.92	1	1.92
3	Bottom rail	-	6061 - T6	1880	0.85	1	0.85
4	Glass	6 x 1714.4 x 922	Tempered glass conform to CAN/CGSB-12-M90	-	-	1	-
5	Mounting plate	PL 9.5 x 114.3	6061 - T6	127	0.37	2	0.74
6	Stiffener plate	PL 6.35 x 63.5	6061 - T6	76	0.10	2	0.20
7	Support leg	PL 3	6061 - T6	25.4	0.04	1	0.04
8	Post cap	-	6063 - T5	-	0.04	2	0.08
							7.97



SECTION A-A



TYPICAL TOP MOUNTED DETAIL ON TIMBER FLOOR



TYPICAL TOP MOUNTED DETAIL ON CONCRETE FLOOR



25 SEP 2023  
PERMIT # 7999

No	DATE	REVISIONS	DRAWN	CHECK
5	25 SEP. 2023	REVISED AS CLOUDED	EY	EG
4	11 APR 2023	REVISED AS CLOUDED	EY	EG
3	25 MAY 2022	CHANGING GLASS THICKNESS TO 6mm	EY	EG
2	21 JAN. 2020	ADDING EDGE DISTANCE NOTE	EY	EG
1	29 JUL. 2019	STIFFENERS ARE REVISED	EY	EG
0	20 OCT. 2018	ISSUED FOR FABRICATION	EG	EG

Drawing prepared by:



554 Silverado, SW, Calgary, AB  
Phone: (403) 617-4801  
ehab.girgis@gplusengineering.com  
www.gplusengineering.com

Client :

**Home-Rail Ltd.**

Drawing Title :

**GLASS RAIL 6mm - 42" HIGH  
TOP MOUNTED**

Scale :	NTS	Drawing No.	REV.
Project No. :	2221	H1-1	5